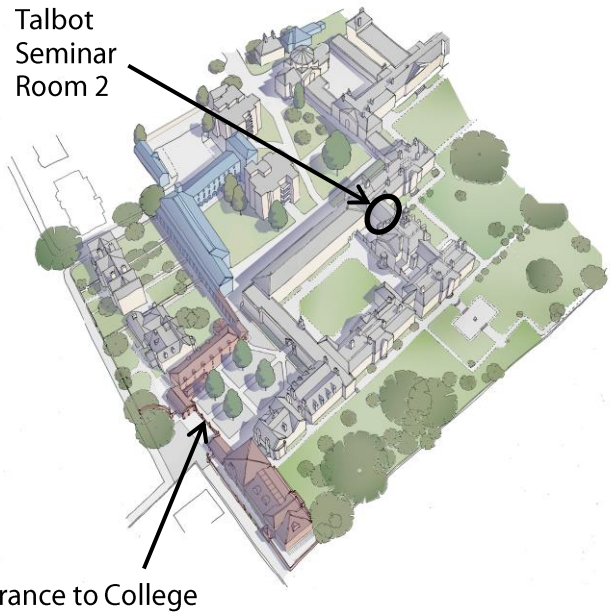


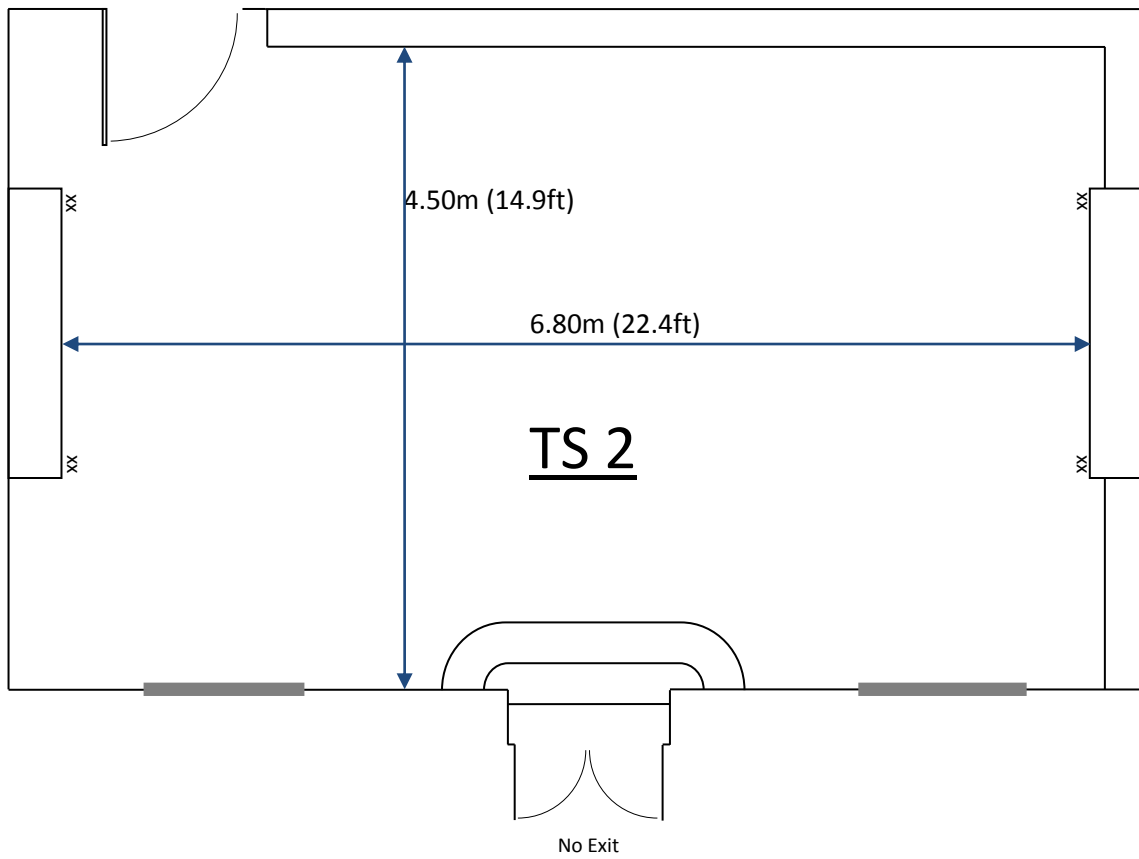
Talbot Seminar Room 2

Lined with books and with a balcony which opens to the fresh air and a view of the gardens, Talbot Seminar Room 2 makes an ideal thinking space, perfect for working meetings. Generations of students have been taught here, and it is still regularly used for tutorials during the University term time. It is situated next to Talbot Hall, and works well as a breakout space. With plenty of natural light, Talbot Seminar Room 2 provides exactly the right atmosphere for workshops and seminars. It is accessed via steps from Wolfson Quad.

Key Information	
Size:	6.8m x 4.5m
Capacity:	Theatre 20 Boardroom 18
Facilities:	Ceiling mounted data projector, wall mounted white board. Telephone point.
Features:	One of two seminar rooms which flank a key function room, Talbot Hall.



Talbot Seminar 2



Key:

x Power socket, and number

■ Windows

∩ Doorway